

DATASHEET

Name:
Type:
Designed by:

TROTTOLA
Pendant Light
Federico Peri



DESCRIPTION

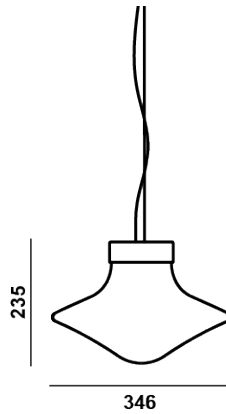
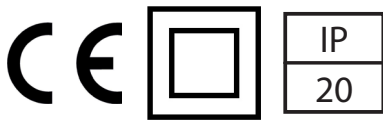
Trottola is a new collection of suspension and table lights whose shape elicits memories of a popular childhood toy - the spinning top. The aesthetics of the design are carried on an enchanting luminance that passes through an opal diffuser and opaline glass to reveal a playful contrast of shadows and light.

TECH. DESCRIPTION

The pendant comprises a dural fixture with LED module, a fixture cover, and a glass shade attached to the fixture with three set screws. The pendant is hung from a wire rope anchored within a ceiling canopy, which also houses the electronics. There is a simple mechanism in the upper part of the fixture for levelling the light after installation.



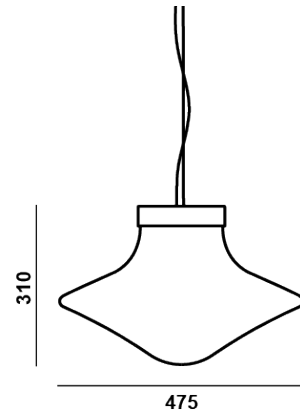
CERTIFICATES



Product ID: PC1321

Trottola - Small

4.7 kg
Glass, metal
2,200 mm
Ceiling
Indoor



Product ID: PC1322

Trottola - Large

7.5 kg
Glass, metal
2,200 mm
Ceiling
Indoor

CONSTRUCTION SPECIFICATIONS

Weight:
Construction material:
Cord Length:
Mounting:
Environment:

ELECTRICAL SPECIFICATIONS

Input voltage [V]: 100-240 V
Frequency [Hz]: 50-60 Hz
Max. power [W]: 11 W
Coverage IP: 20
Socket: -
Light source: LED Module
Energy class: E

100-240 V
50-60 Hz
12 W
20
-
LED Module
E



DATASHEET

Name:
Type:
Designed by:

TROTTOLA
Pendant Light
Federico Peri



PRODUCT DETAILS

Glass Colour

Opaline - transparent glass	A	CGC38
Pearl grey-opaline glass	A	CGC1916

Glass Surface

Glossy Finish	A	CGCU66
---------------	---	--------

Body Finish

Black Anodized	A	CCS1948
Silver Anodized	A	CCS1917

Canopy finish

Metal - black matte powder coating with structure	A	CCSC2674
Silver Anodized	A	CCSC2674

Cable colour

Textile cable - Black	A	CECL519
Textile cable - Light Grey	A	CECL1918

LED Source

DIM, 24V, LED, 9.4 W, 2700K, 1064lm, RA90+	A	LEDS2869
DIM (TW), 24V, LED, 9.4 W, 2700K-6500K, 1064lm-1141lm, RA90+	A	LEDS2940